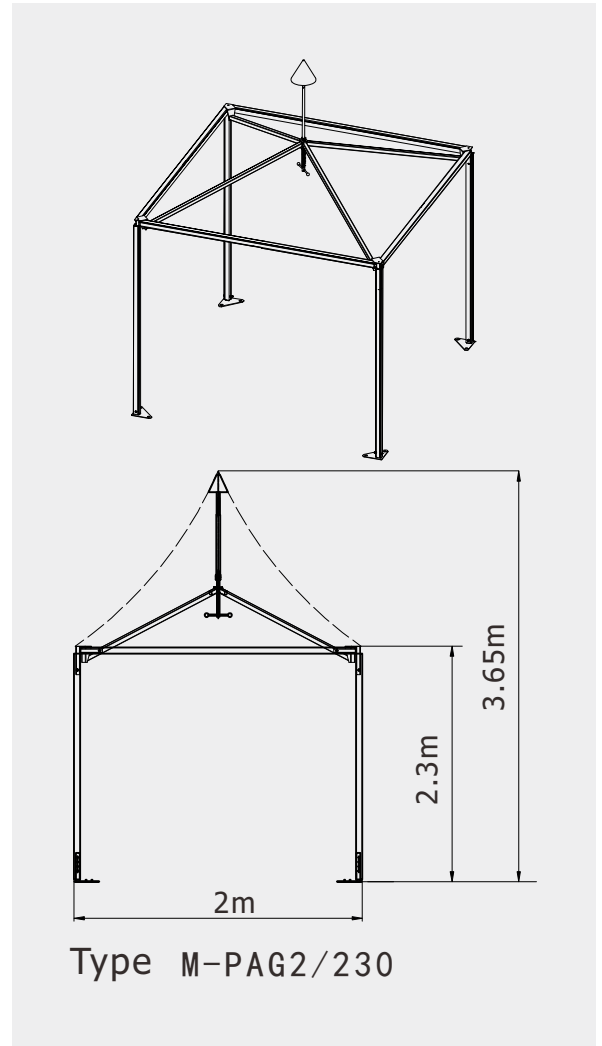
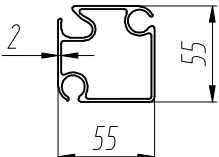
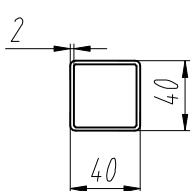
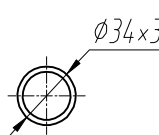




Item	Specification
Clear-span width	2m
Eave height	2.3m
Ridge height	3.65m
Wind loading	80km/hour 0.3kn/m ²
Eave connection	Hot-dip Galvanized steel insert
Framework material	Hard pressed extruded aluminium 6061/T6 (15HW)
Cover material	PVC-coated polyester textile, flame retardant to DIN 4102 B1,M2,CFM. 750-900g/m ²



Framework main profile dimension and use		
 <p>upright support Eave beam</p>	 <p>Bevel beam</p>	 <p>Center Pole</p>

Optional accessories
PVC window sidewalls
Anchoring
Rain Gutter
Transparent PVC cover and sidewall
Weight plate
Lining and curtain

