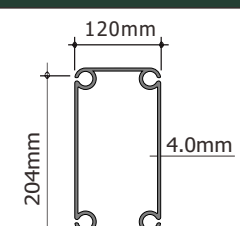
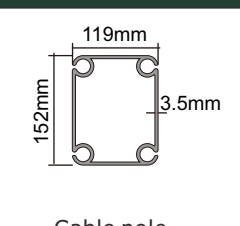
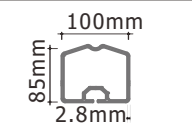
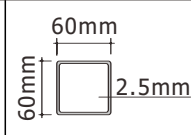
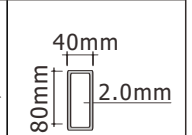


Item	Specification
Clear-span width	15m
Eave height	4.1m
Ridge height	13.4m
Roof pitch	60°
Bay distance	5m
Longest component	9.64m
Roof fixing	Bar tensioning
Main profile	204x120x4mm(4-channel)
Wind loading	100km/hour 0.5kn/m ²
Eave connection	Hot-dip Galvanized twin steel plate
Framework material	Hard pressed extruded aluminium 6061/T6 (15HW)
Cover material	PVC-coated polyester textile, flame retardant to DIN 4102 B1,M2,CFM. 750g-900g/m ²

Optional accessories
<ul style="list-style-type: none"> PVC window sidewalls Anchoring Rain Gutter Lining and curtain Glass door units Hard walling system Glass walling system Transparent PVC cover and sidewall Flooring system Weight plate

Framework main profile dimension and use		
 <p>upright support Roof Beam</p>	 <p>Gable pole</p>	
 <p>Ridge purlin Eave purlin Gable beam</p>	 <p>Intermediale purlin</p>	 <p>Eave tension rail</p>

