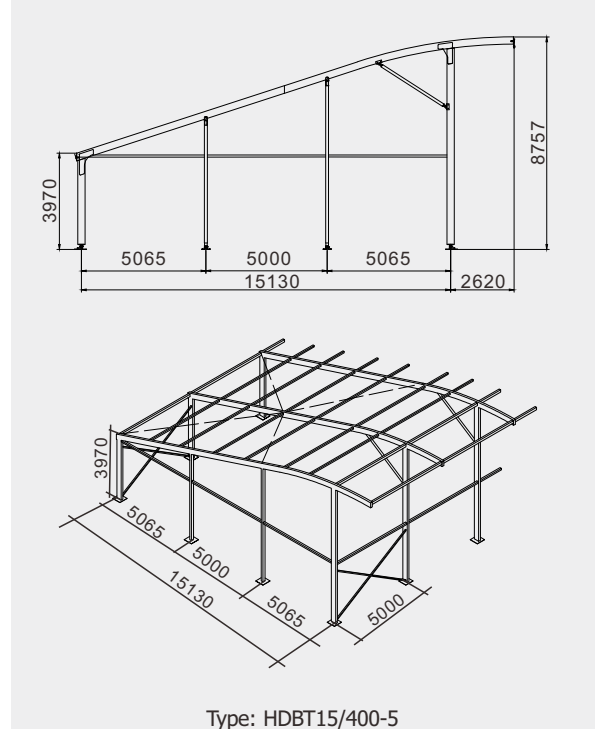


High Quality Tent Trust-worthy Liri

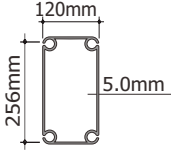
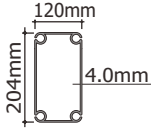
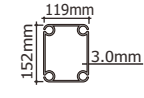
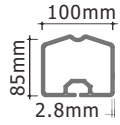
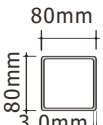
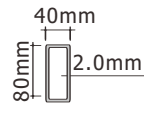


Item	Specification
Clear-span width	15m
Eave height	4m
Ridge height	8.75m
Roof pitch	18°
Bay distance	5m
Longest component	9.1m
Minimum tent length	15m
Roof fixing	Bar tensioning
Main profile	256x120x5mm(4-channel)
Wind loading	80km/hour 0.3kn/m ²
Eave connection	Hot-dip Galvanized twin steel Insert
Framework material	Hard pressed extruded aluminium 6061/T6 (15HW)
Cover material	PVC-coated polyester textile, flame retardant to DIN 4102 B1,M2,CFM. 750g-900g/m ²

Optional accessories

- PVC window sidewalls
- Anchoring
- Rain Gutter
- Lining and curtain
- Glass door units
- Hard walling system
- Glass walling system
- Transparent PVC cover and sidewall
- Flooring system
- Weight plate

Framework main profile dimension and use

 <p>upright support /Roof Beam</p>	 <p>Gable pole</p>	 <p>Gable pole</p>
 <p>Eave purlin Gable pole</p>	 <p>Intermediate purlin</p>	 <p>Eave tension rail</p>

