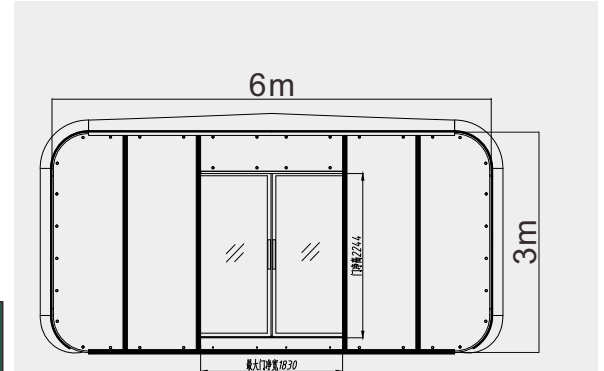


Modular Box Tent

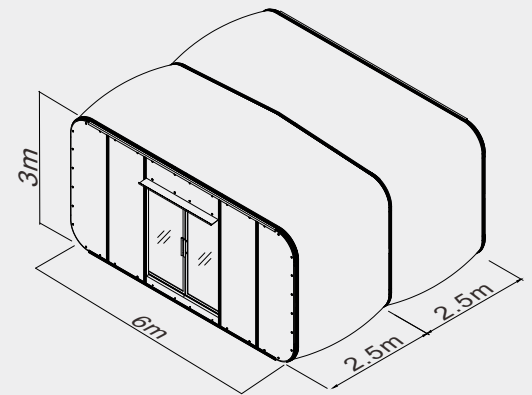
Technical Data

(Type: MB-MR6/300)

▲ Patent No. ZL 201521107672.9
ZL 201930198116.4



(Type: MB-MR6×5/300)

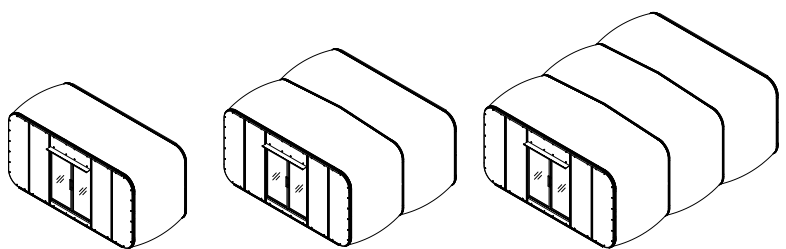


Item	Specification
Clear-span width	6m
Eave height	3m
Bay distance	2.5m
Longest component	6m
Bay distance	2.5m
Roof type	Thermal Roof
Flooring System	Double-sided brown film coated plywood (20mm) and Q235 hot-dip galvanized pipe
Main profile	80x80x2.5mm
Wind loading	100km/hour 0.5kn/m ²
Door	Double-wing glass door / Sliding glass door (dark gray)
Inflatable System	Specialized inflatable equipment
Framework material	Reinforced 6061/T6 (white coating) aluminum alloy profile, hardness: 15HW
Cover material	PVC-coated polyester textile, flame retardant to DIN 4102 B1,M2,CFM. 650g-850g/m ²

Optional accessories

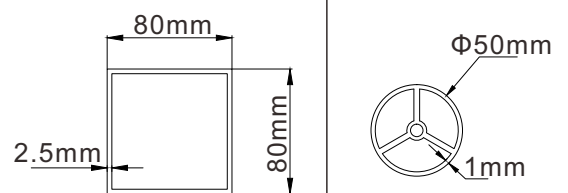
Transparent PC wall	Tempered glass wall
Steel anchor	Coated glass wall
Exhaust Fan	Transport rack
Weight loading base plate	
FRP composite insulation wall panel	

Arrangement Illustration



Single box Double boxes connection Multi boxes connection

Framework main profile dimension and use



Main frame

Eave beam